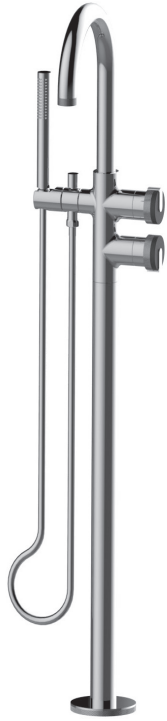


G-11554-***L1**-**-T

MOD+ Collection
Floor-Mounted Tub Filler

GRAFF®



Product Features

- Floor-mount installation
- Aerated spout flow rate ~7 gpm @ 45 psi
- Handshower flow rate ≤1.5 max gpm
- 8-11/16" spout reach
- 42-13/16" - 45-15/16" approximate height
- Includes handshower with 59" spiral flexible hose (PVD finishes use 59" flex hose)
- Optional in-line pressure balancing valve

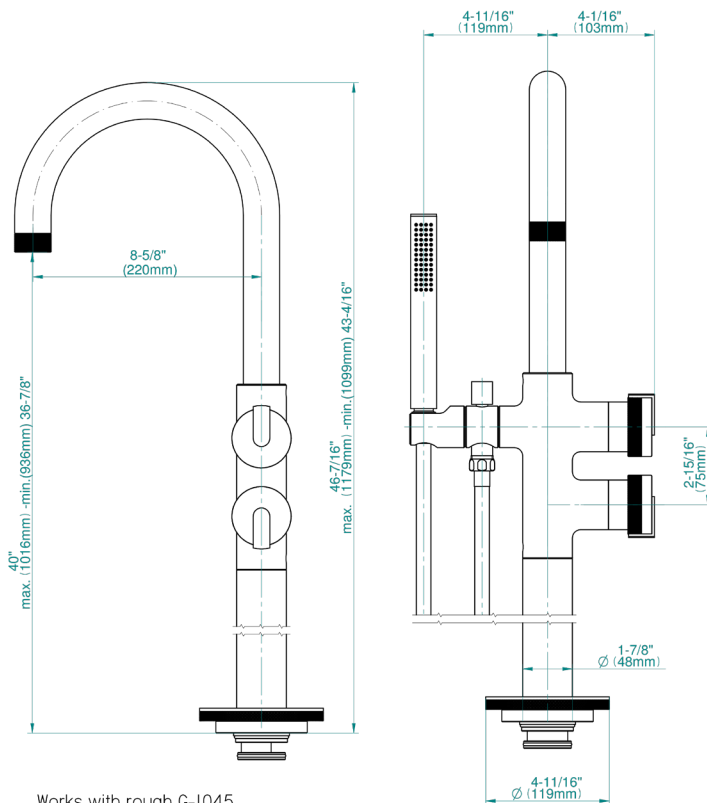
Warranty

- Limited lifetime warranty

For complete warranty information go to <https://www.graff-designs.com/en/info/faqs>

Available Finishes

- Polished Chrome*
G-8026H-***E0-L1**-PC-T*
- Polished Nickel*
G-8026H-***E0-L1**-PN*-T
- Brushed Nickel*
G-8026H-***E0-L1**-BNi-T*
- Unfinished Brushed Brass*
G-8026H-***E0-L1**-UBB-T*
- Unfinished Brass*
G-8026H-***E0-L1**-UB-T*
- Matte Black*
G-8026H-***E0-L1**-MBK-T*
- Architectural Black*
G-8026H-***E0-L1**-BK-T*
- Architectural White*
G-8026H-***E0-L1**-WT-T*
- Olive Bronze*
G-8026H-***E0-L1**-OB-T*
- Gunmetal*
G-8026H-***E0-L1**-GM-T*
- Vintage Brushed Brass*
G-8026H-***E0-L1**-VBB-T*
- OR'osa PVD*
G-8026H-***E0-L1**-RG-T*
- Brushed OR'osa PVD*
G-8026H-***E0-L1**-BRG-T*
- Onyx PVD*
G-8026H-***E0-L1**-OX-T*
- Brushed Onyx PVD*
G-8026H-***E0-L1**-BOX-T*
- Polished Brass PVD*
G-8026H-***E0-L1**-PB-T*
- Brushed Brass PVD*
G-8026H-***E0-L1**-PB-T*
- 24K Brushed Gold*
G-8026H-***E0-L1**-BAU-T*
- 24K Gold*
G-8026H-***E0-L1**-AU-T*



Works with rough G-I045

* Special order finish- call for availability
** - please specify finish
*** - please specify handle: R2MB Marble Storm Black, R2MW Marble Smoky White, R2MG Marble Forest Green, R1** Brass please specify any finish

The measurements shown are for reference only. Products and specifications shown are subject to change without notice. Revised 6/2020.

www.graff-designs.com | phone: 800-954-4723