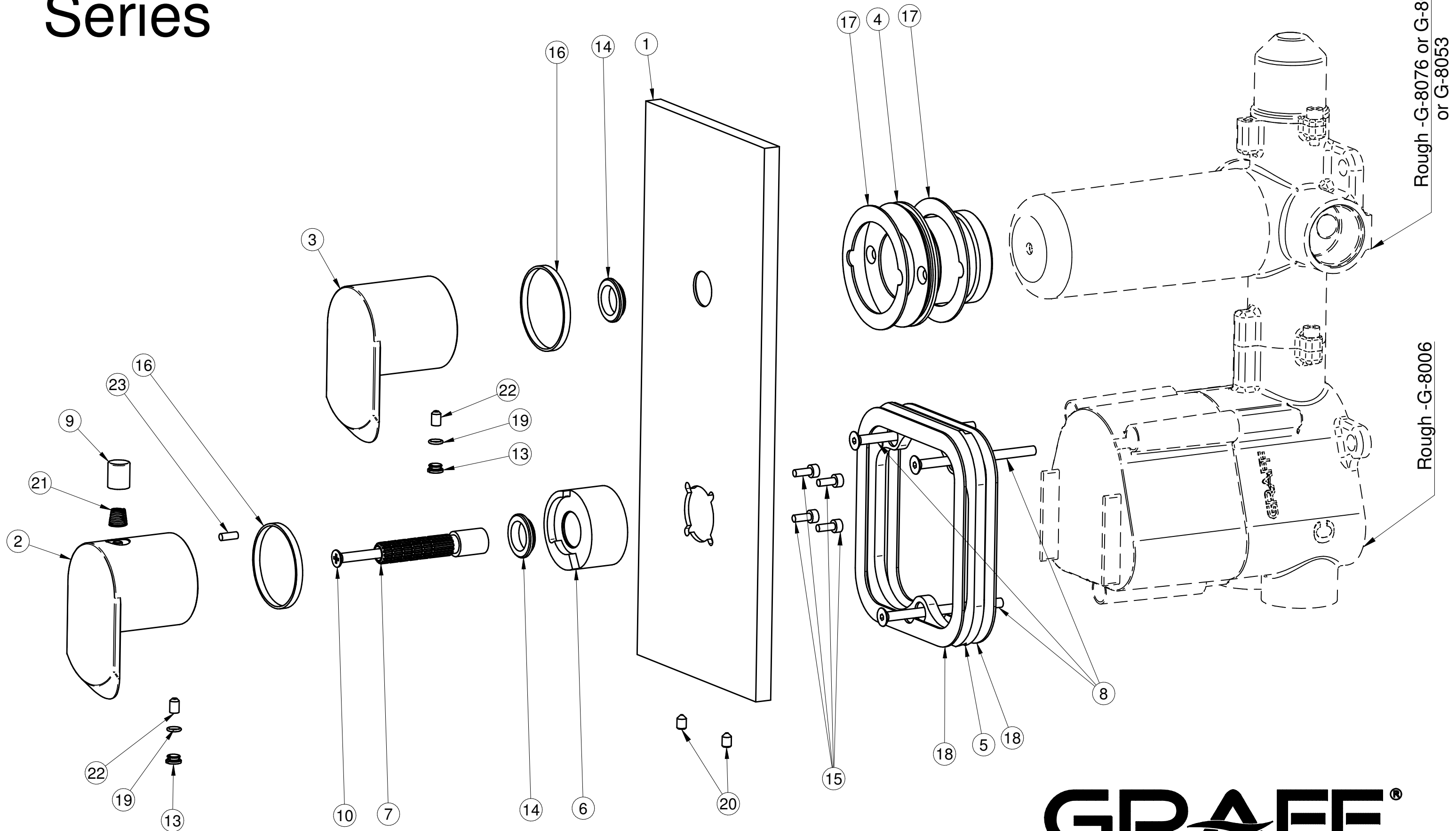


# G-8048-LM45E0-T Series



**GRAFF**<sup>®</sup>  
CUTTING EDGE DESIGN