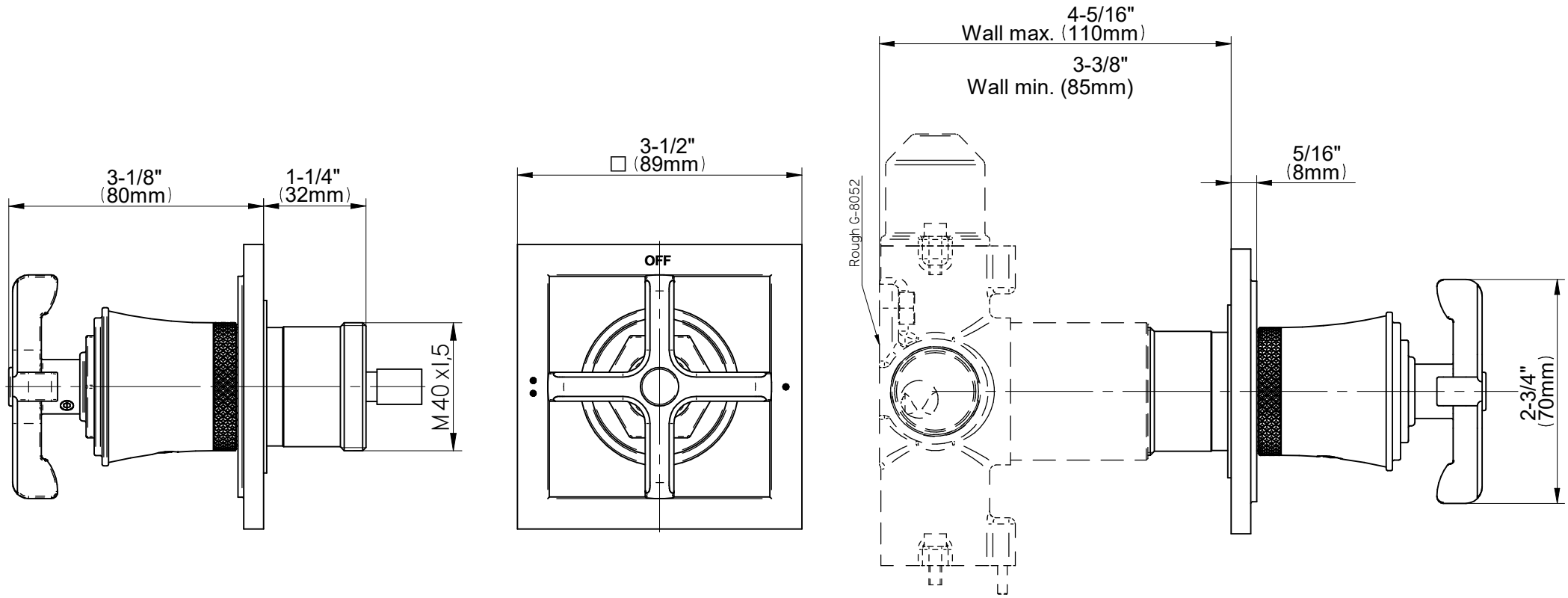


G-8173-C20E1-T

VIGNOLA Series



GRAFF®
Art of Bath