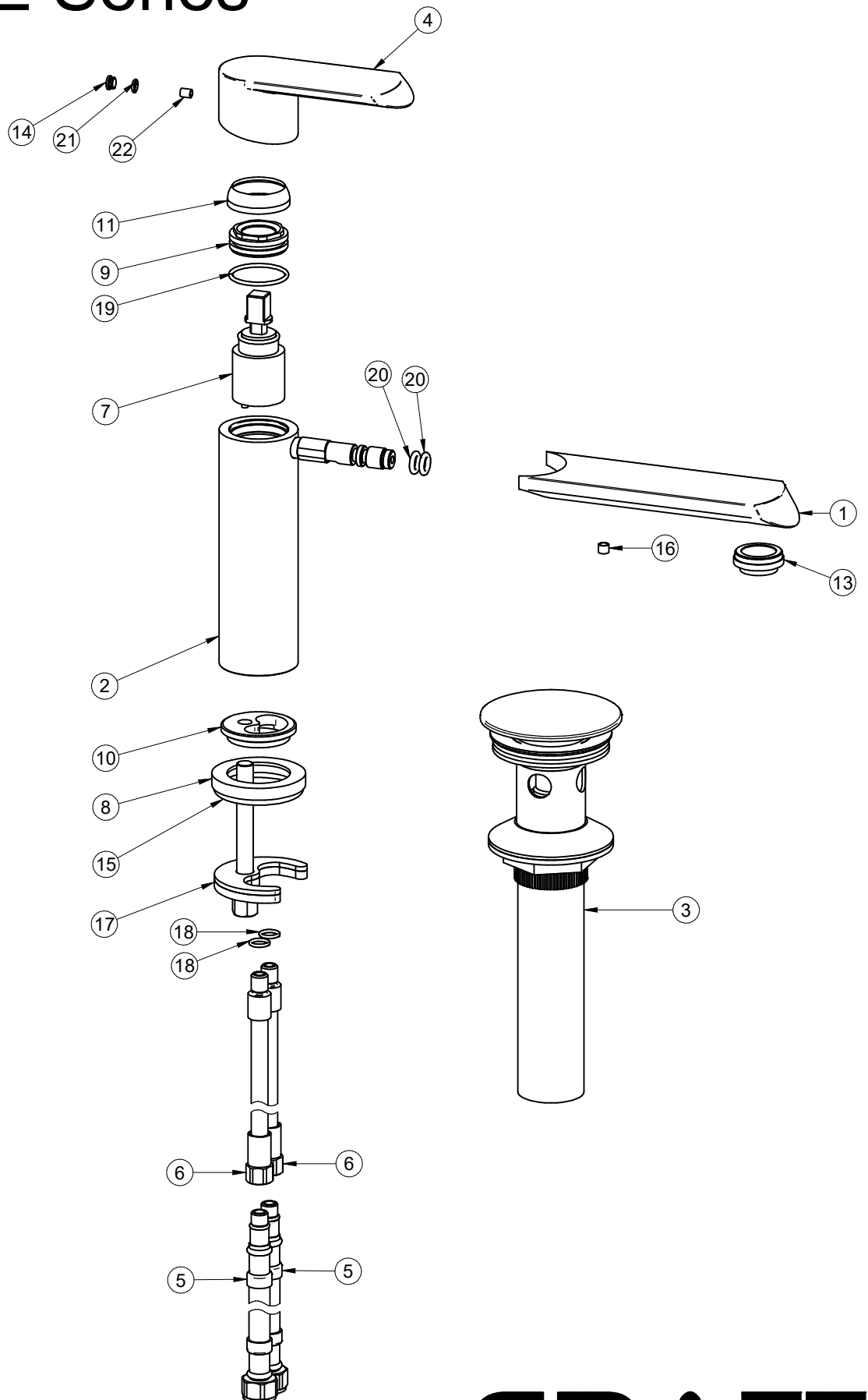


# G-6600-LM45

## PHASE Series



**GRAFF**<sup>®</sup>  
Art of Bath