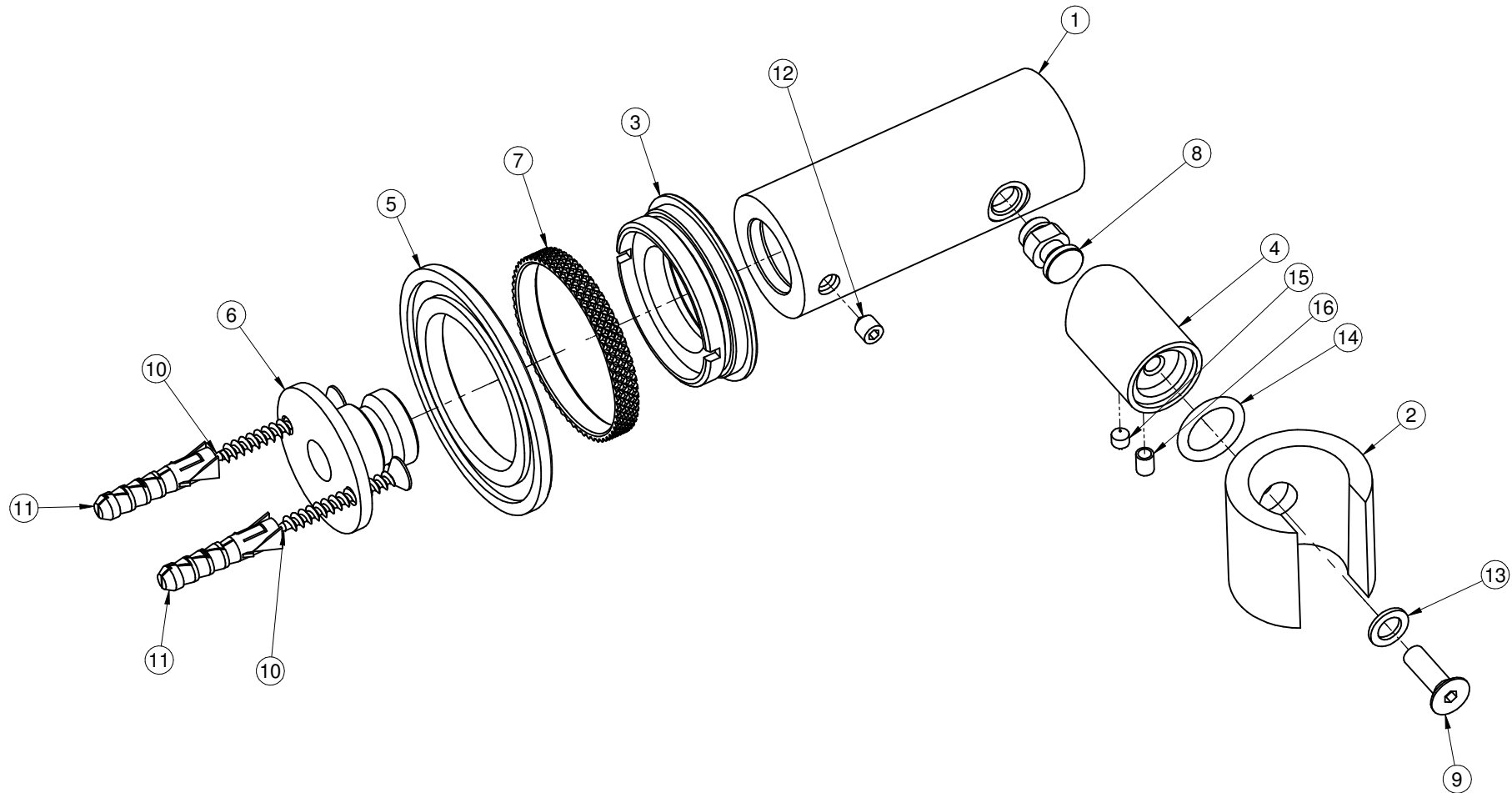


# G-8722

## VIGNOLA Series



**GRAFF®**  
Art of Bath