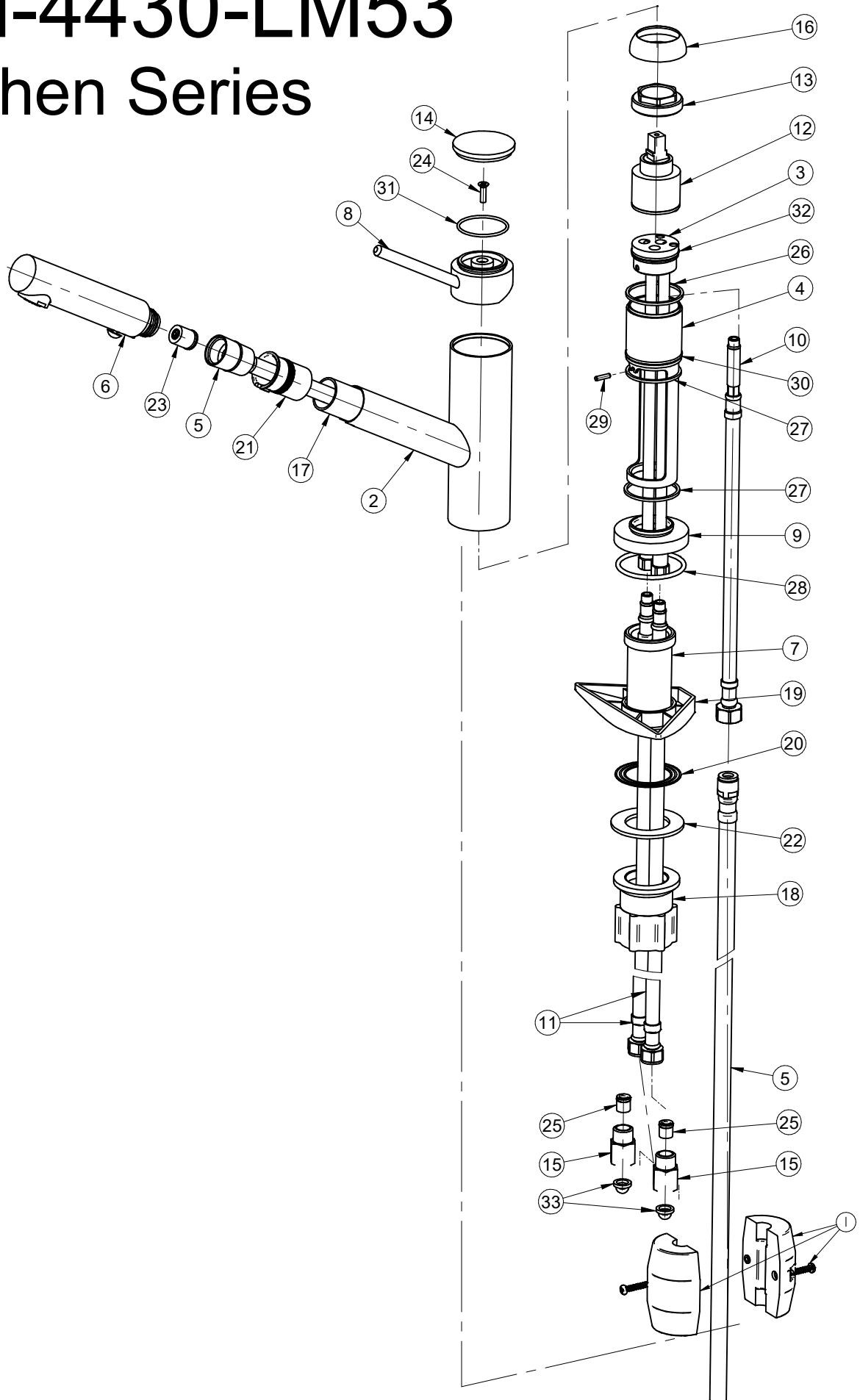


# GN-4430-LM53

## Kitchen Series



**GRAFF**<sup>®</sup>  
Art of Bath