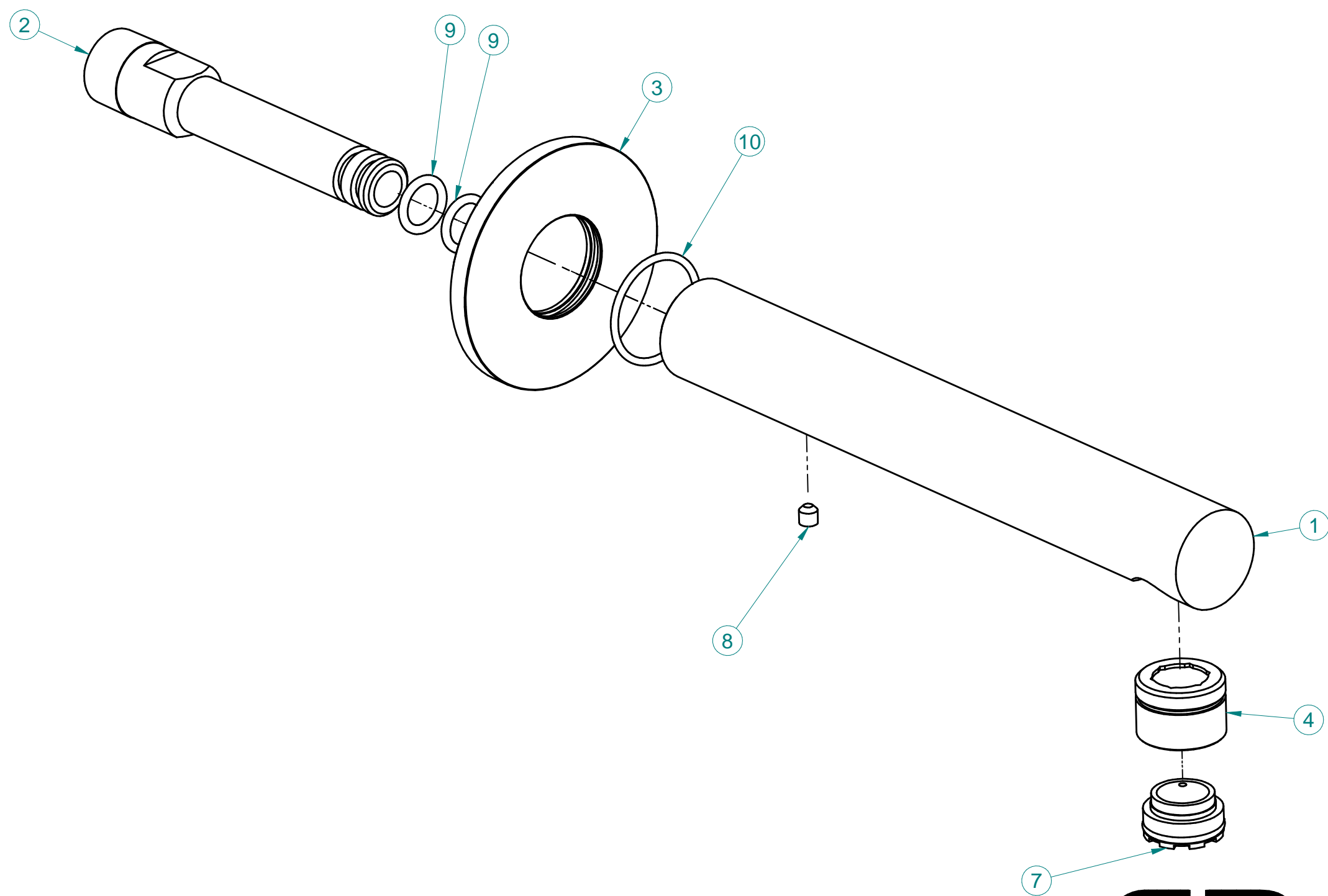


G-6165

ME Series



GRAFF[®]
CUTTING EDGE DESIGN