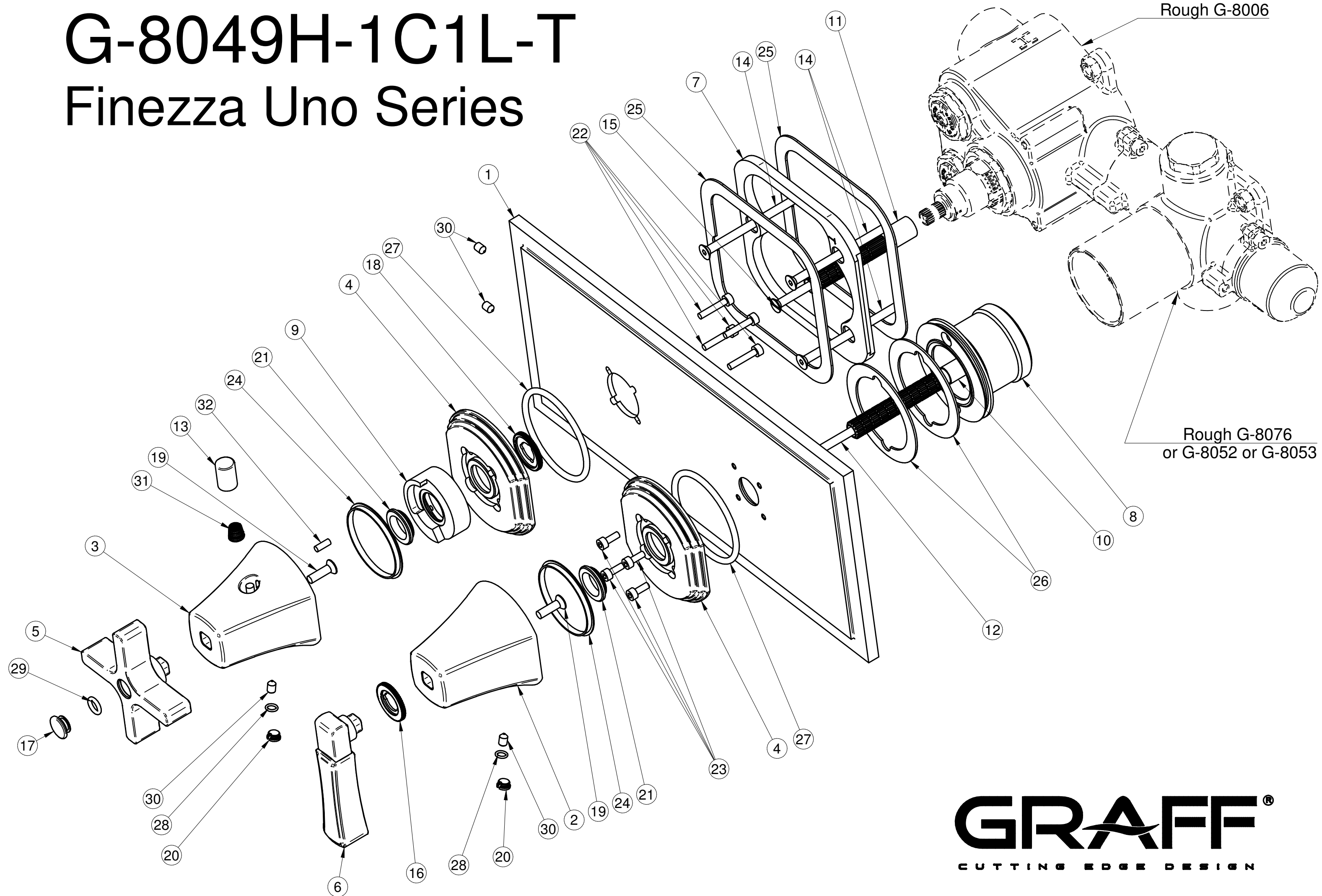


G-8049H-1C1L-T

Finezza Uno Series



GRAFF[®]
CUTTING EDGE DESIGN