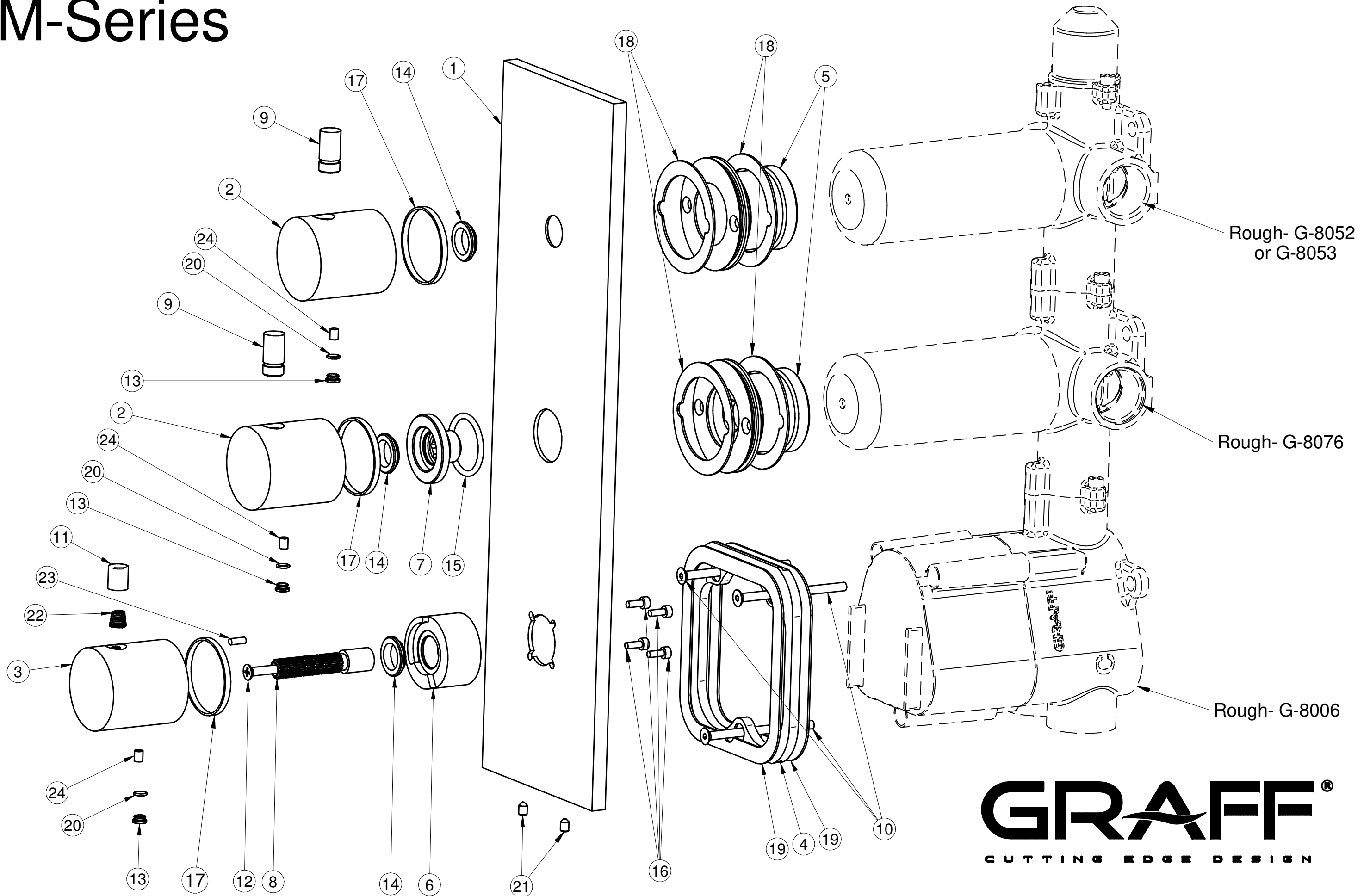


G-8057-RH0-T

M-Series



GRAFF[®]
CUTTING EDGE DESIGN