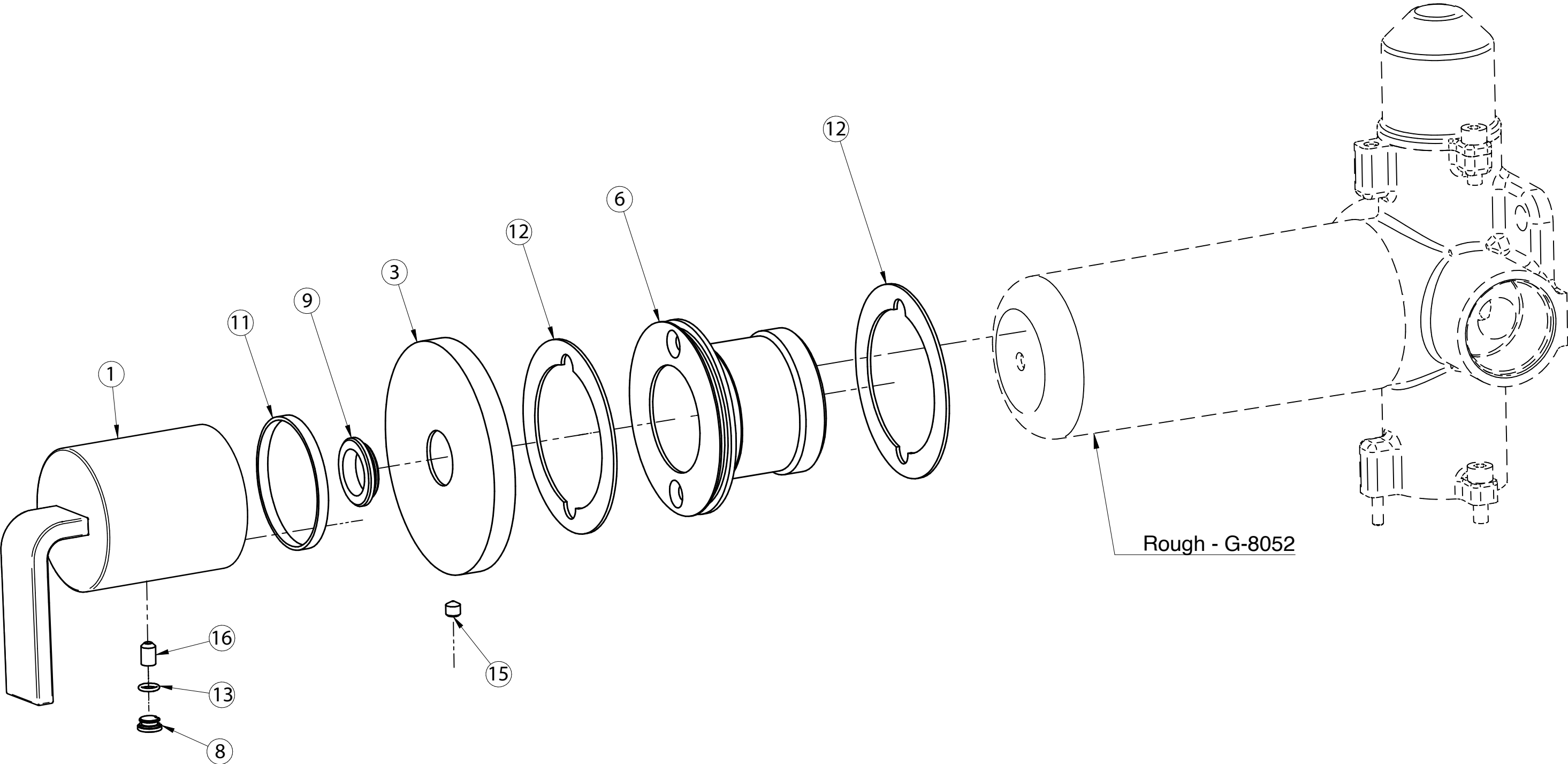


G-8068-LM40E1



Rough - G-8052