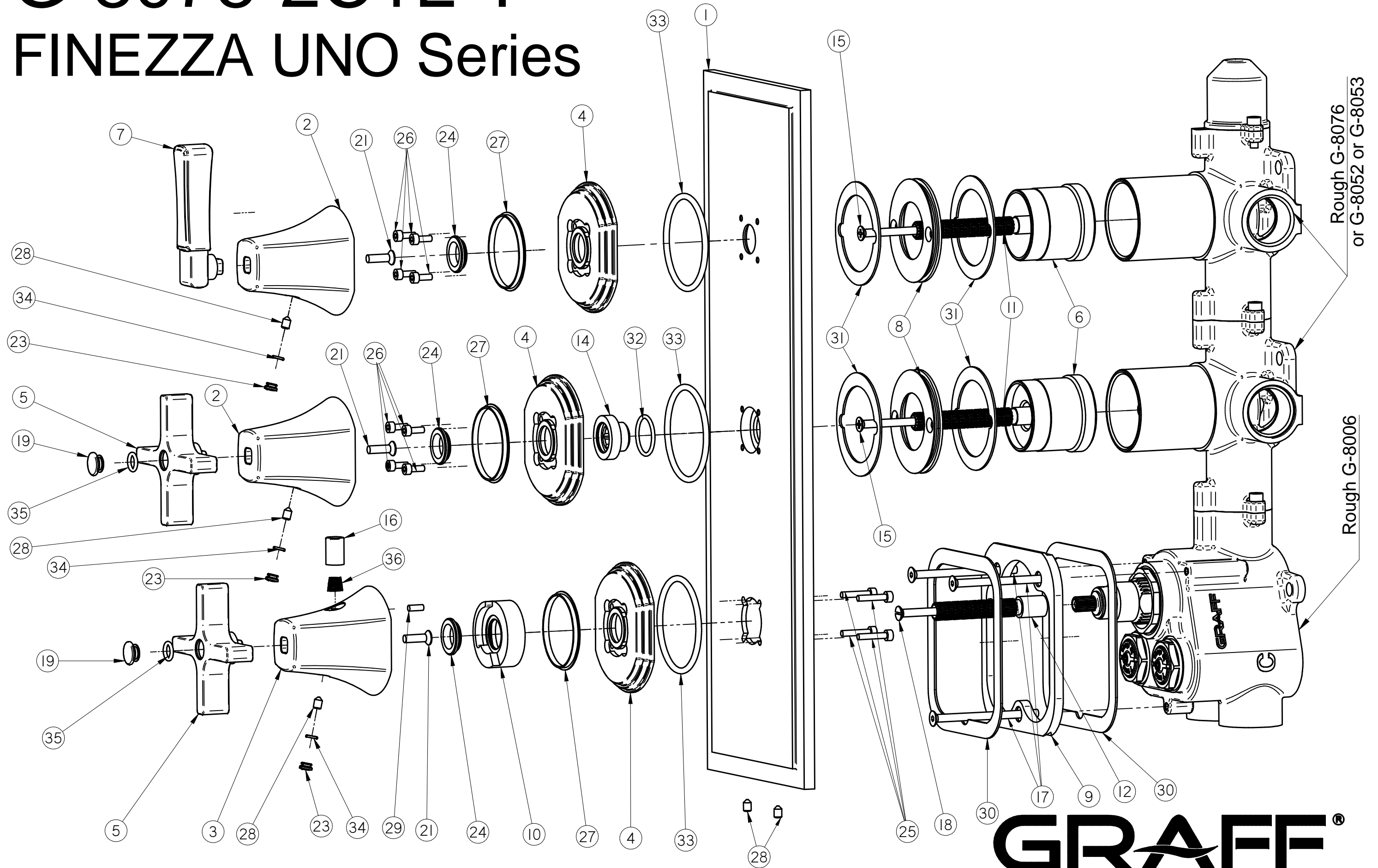


G-8078-2C1L-T

FINEZZA UNO Series



GRAFF[®]
CUTTING EDGE DESIGN