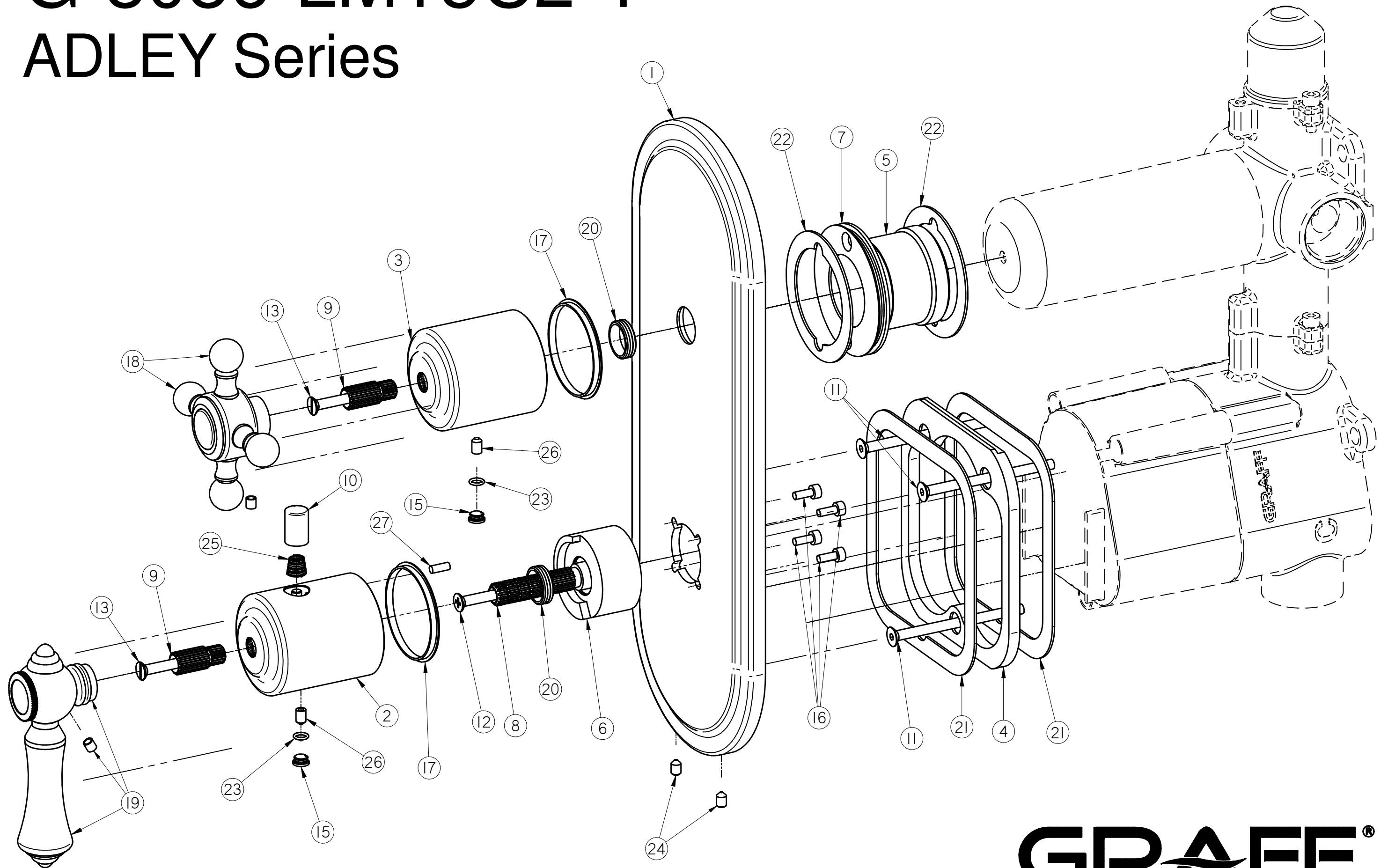


G-8086-LM15C2-T

ADLEY Series



GRAFF[®]
CUTTING EDGE DESIGN