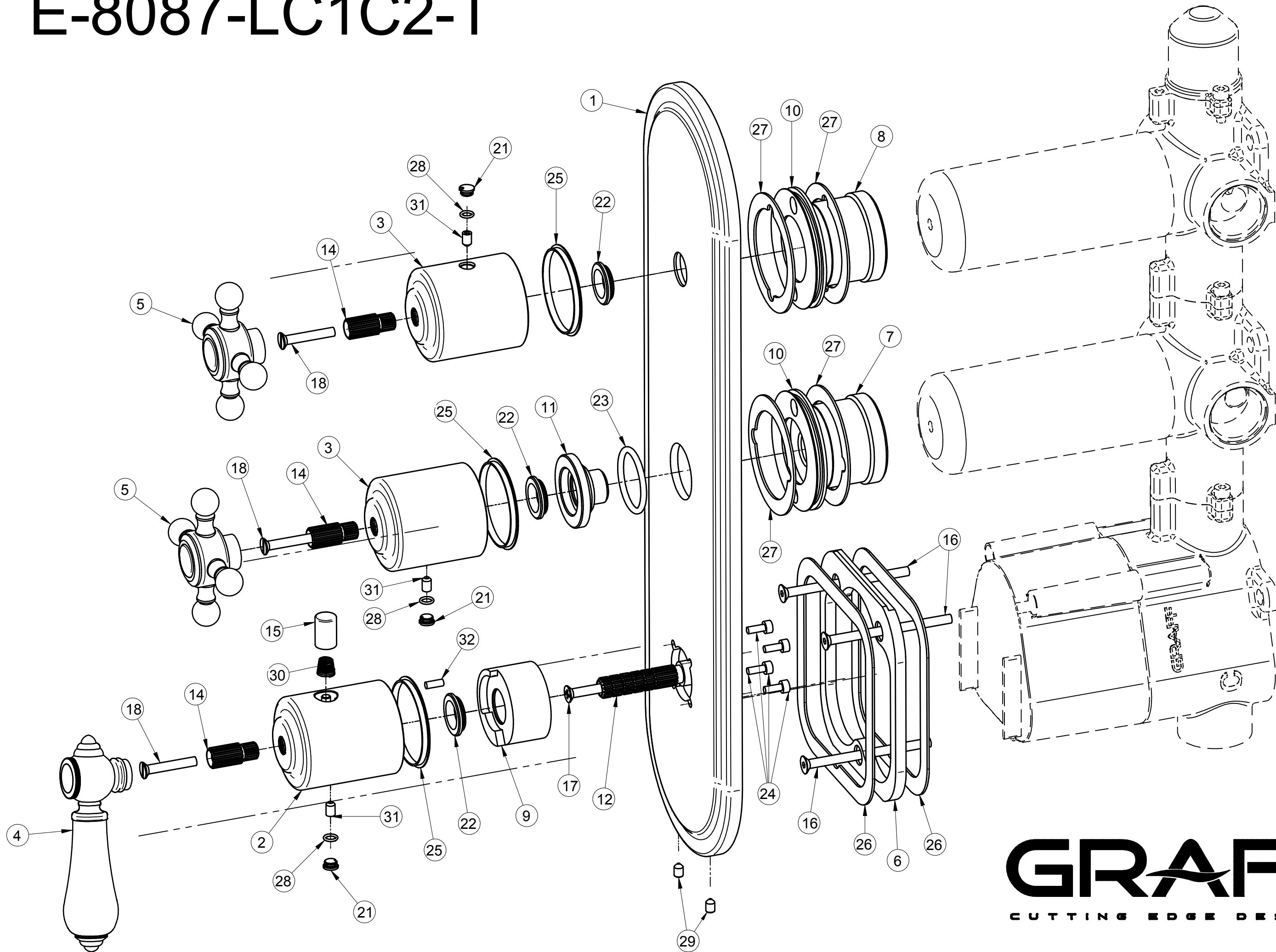


E-8087-LC1C2-T



GRAFF[®]
CUTTING EDGE DESIGN