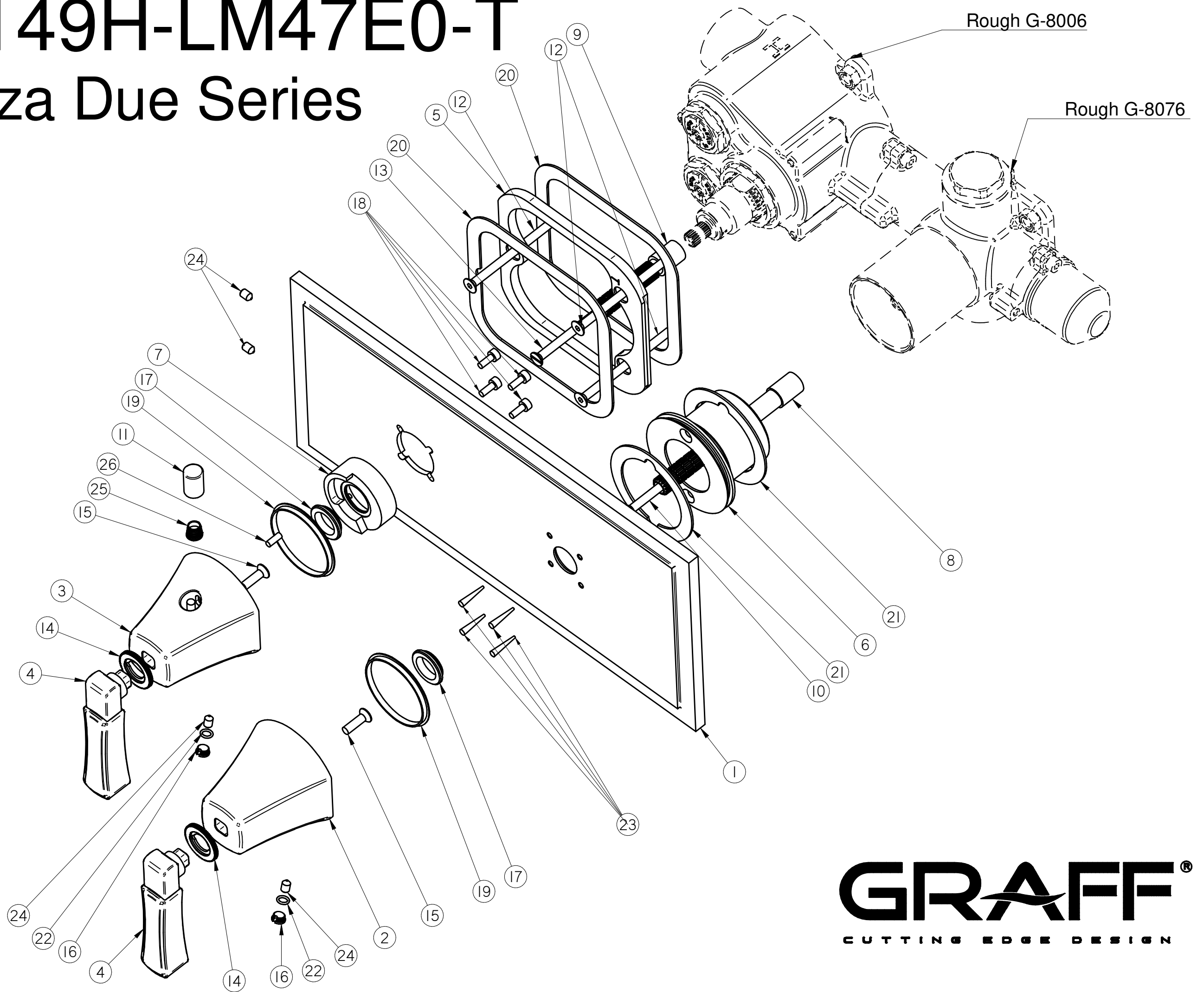


# G-8149H-LM47E0-T

## Finezza Due Series



**GRAFF**<sup>®</sup>  
CUTTING EDGE DESIGN