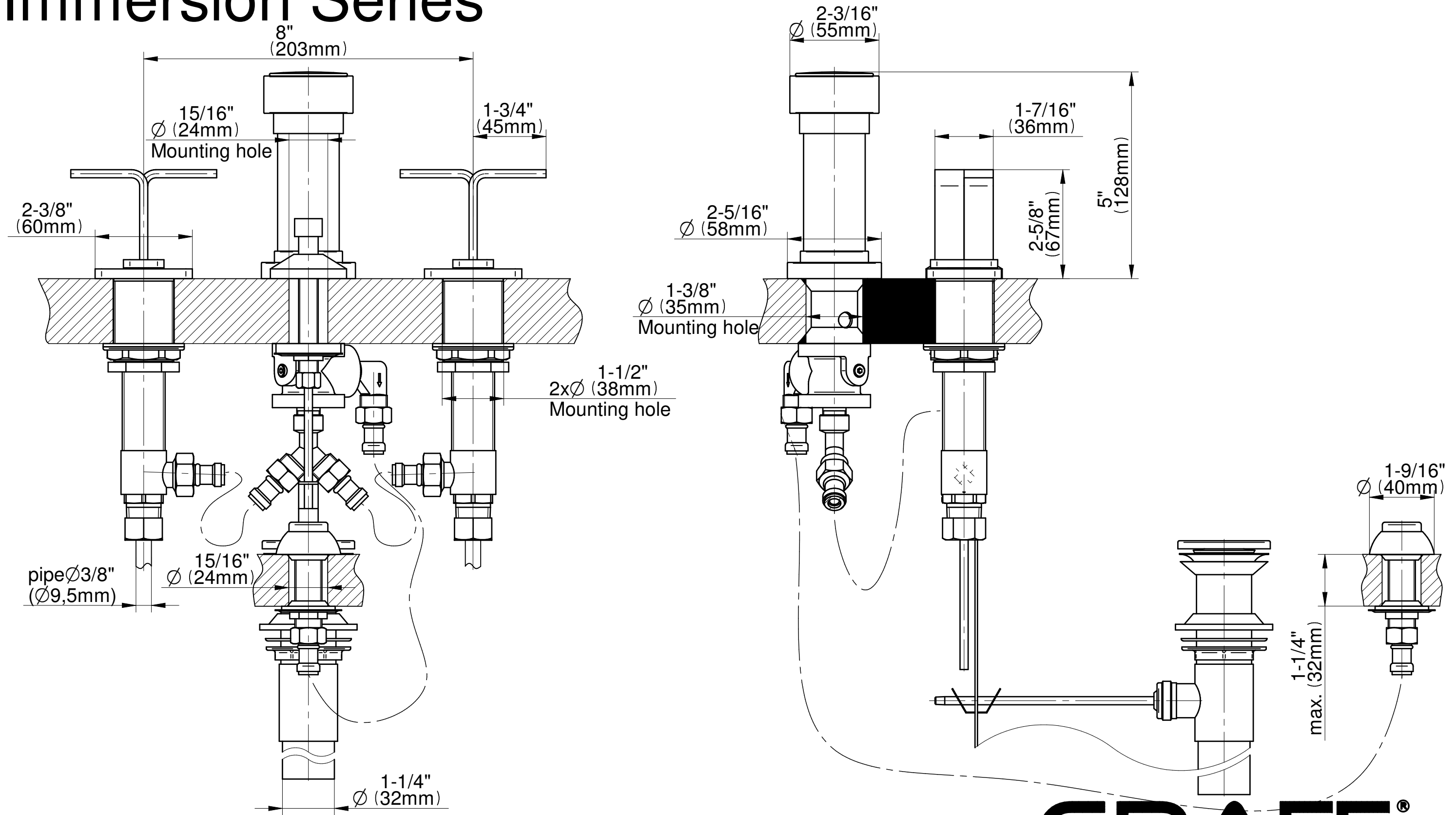


G-2360-C9

Immersion Series



GRAFF[®]
CUTTING EDGE DESIGN