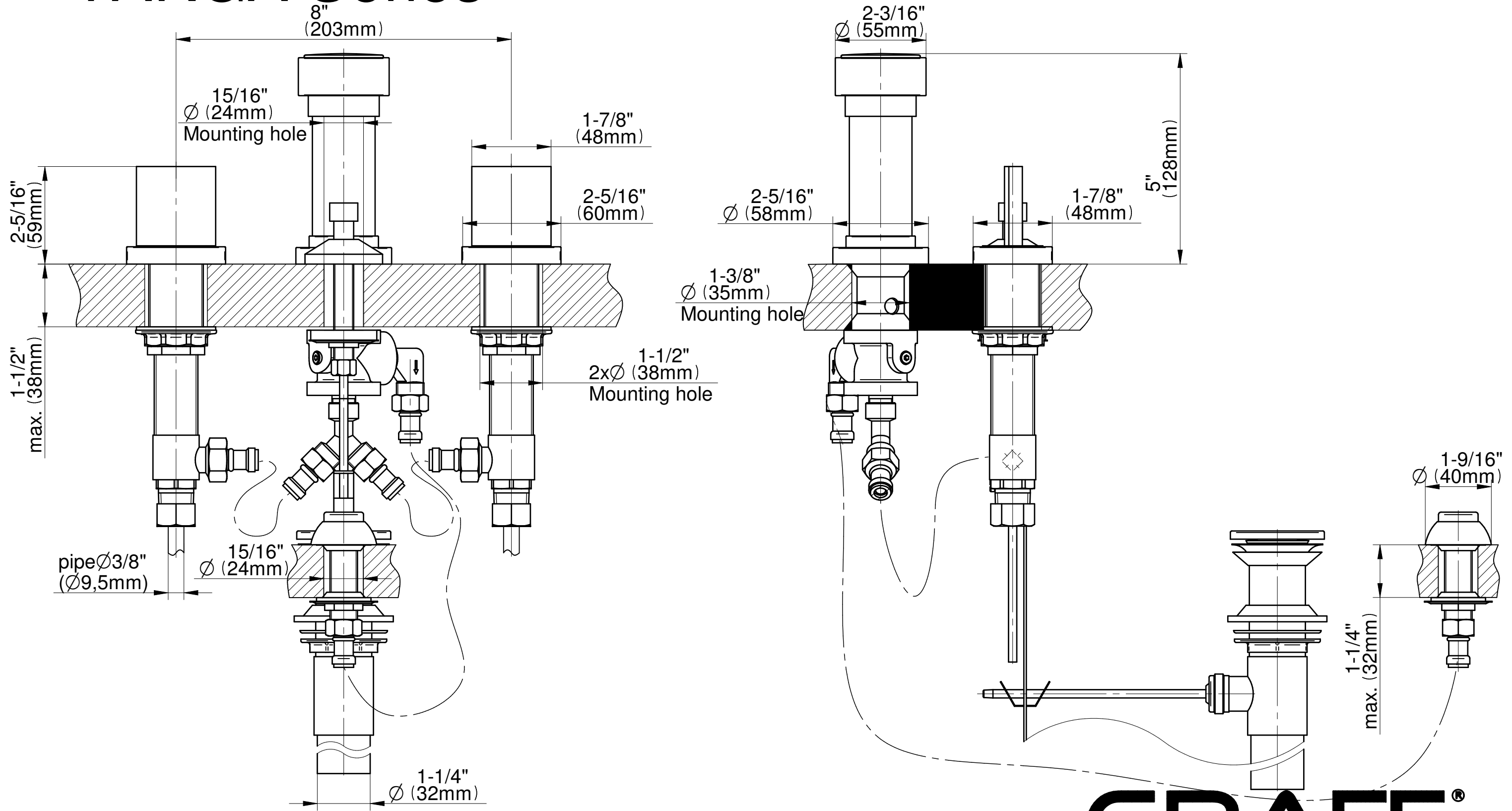


G-3661-C14

TARGA Series



GRAFF[®]
CUTTING EDGE DESIGN