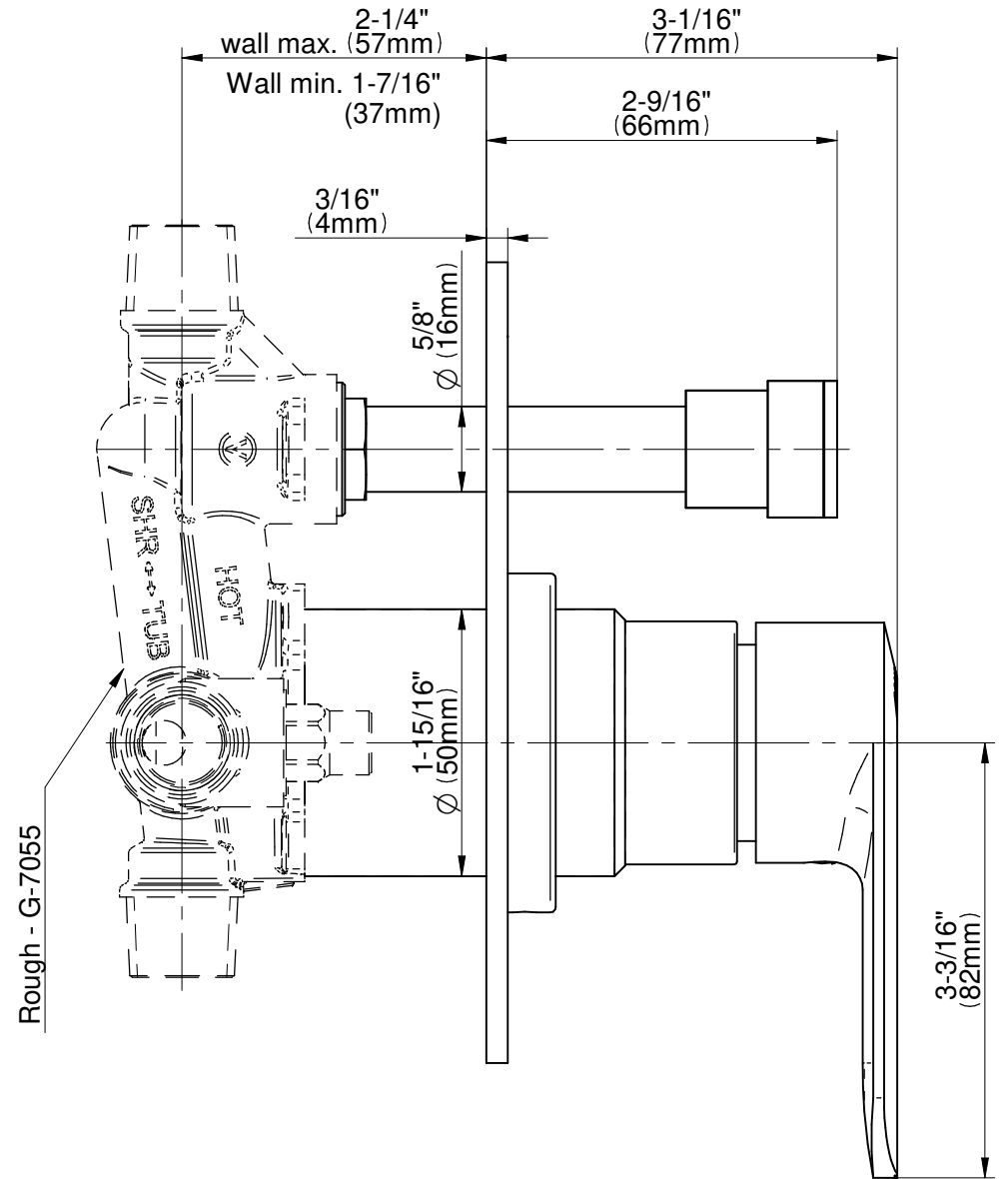
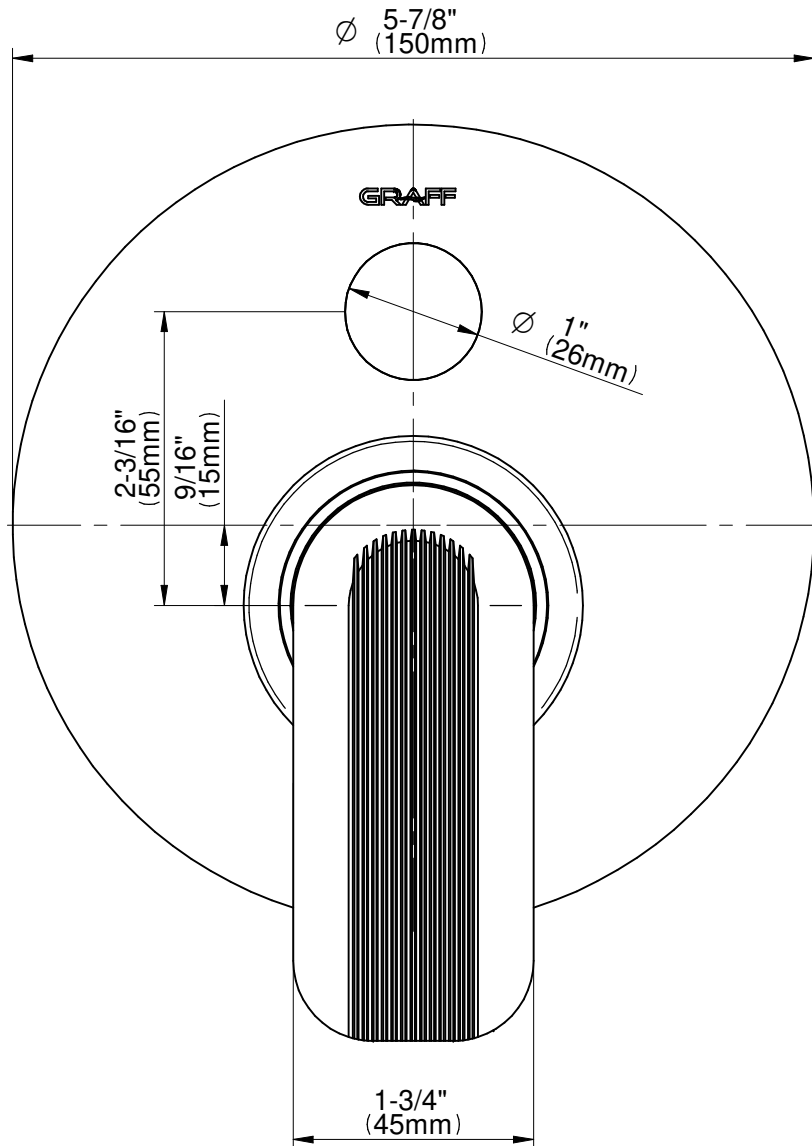


G-7080-LM58S-T

Sento Series



GRAFF[®]
CUTTING EDGE DESIGN