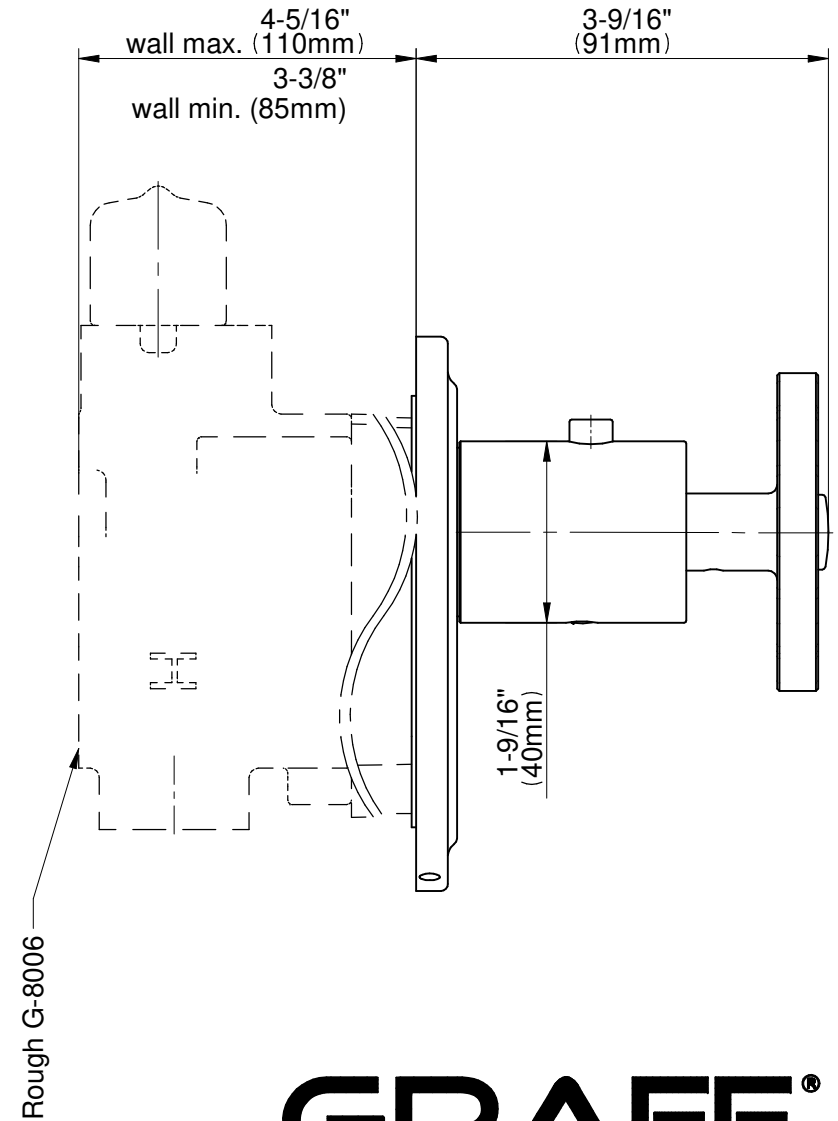
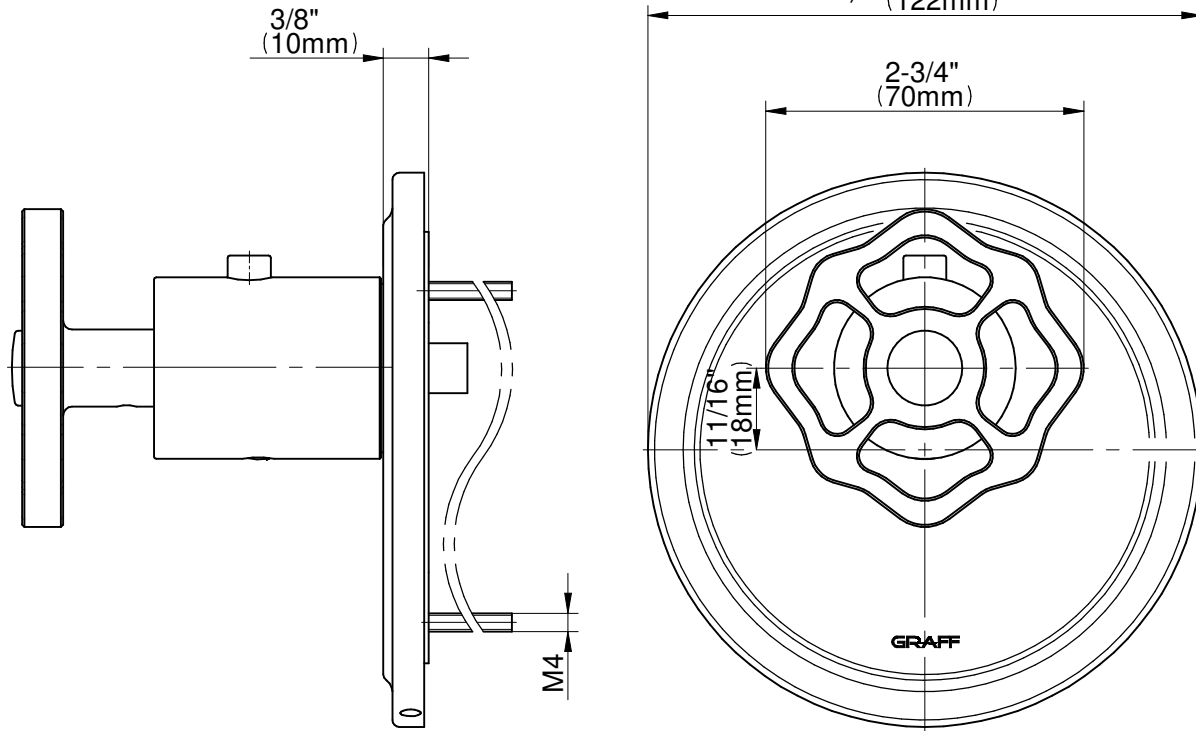


G-8031-C18E-T

Vintage Series



GRAFF[®]
CUTTING EDGE DESIGN