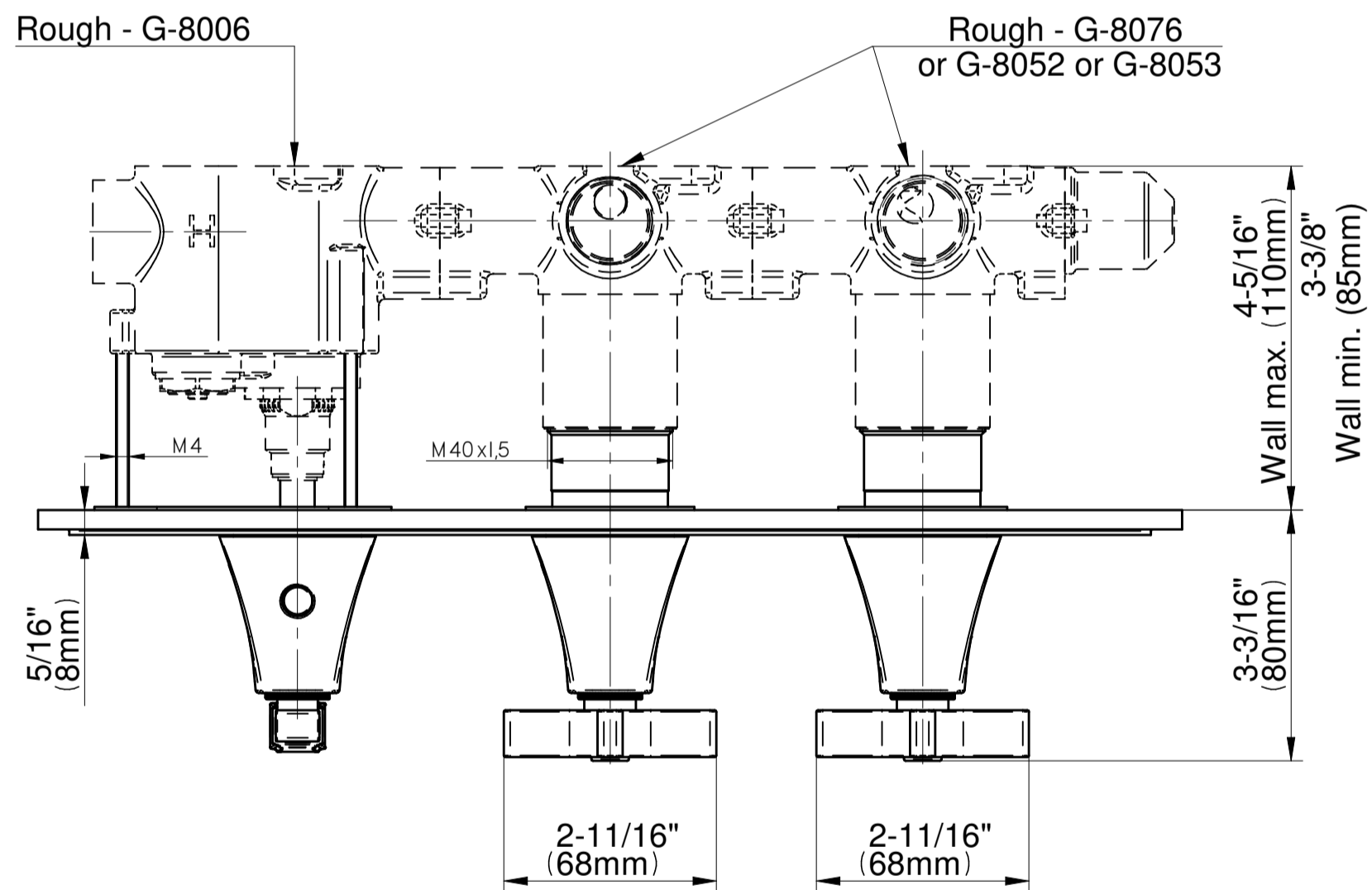
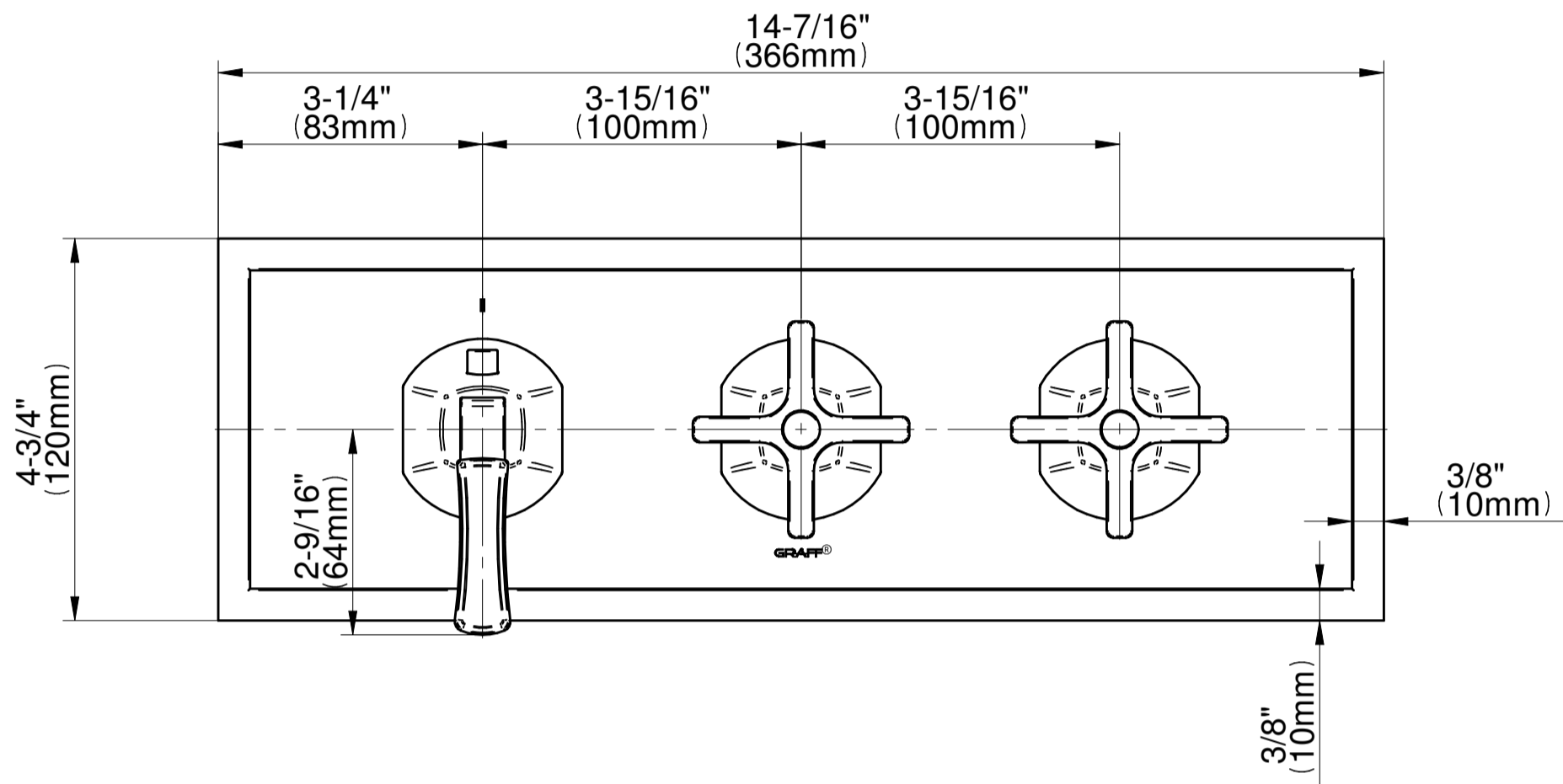


G-8178H-1L2C-T

FINEZZA DUE Series



GRAFF[®]
CUTTING EDGE DESIGN